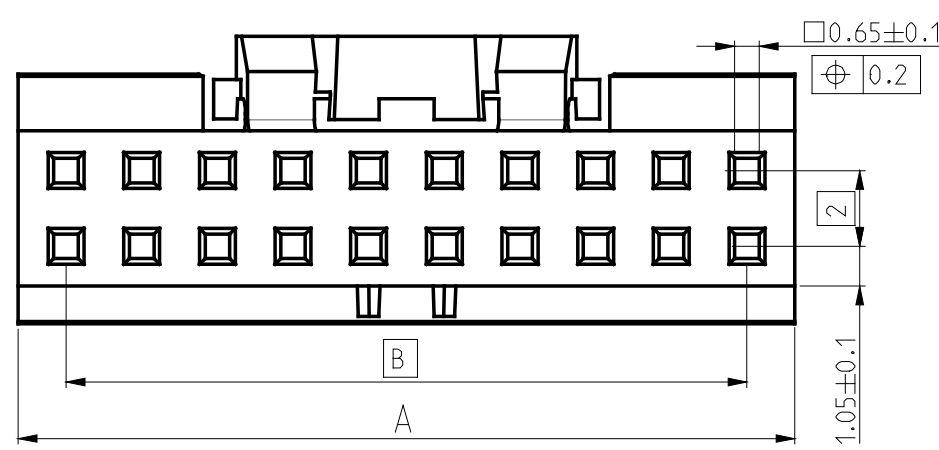
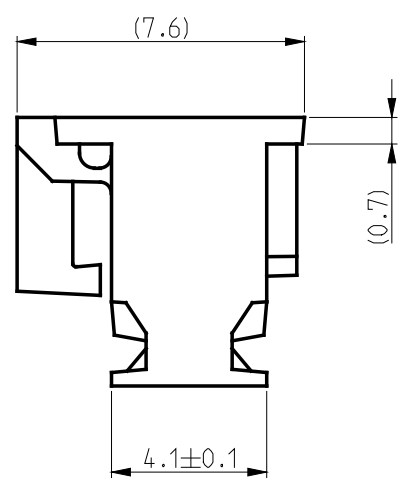
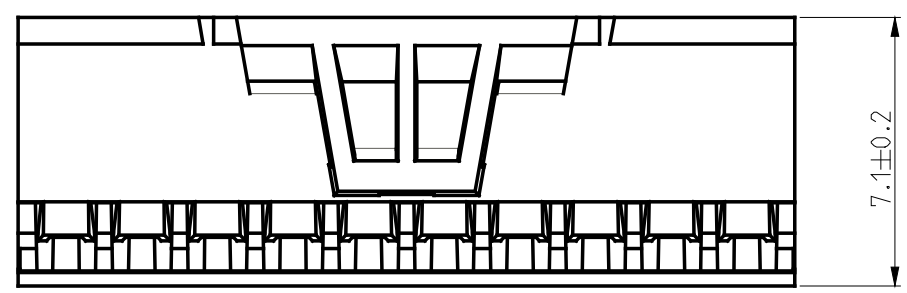
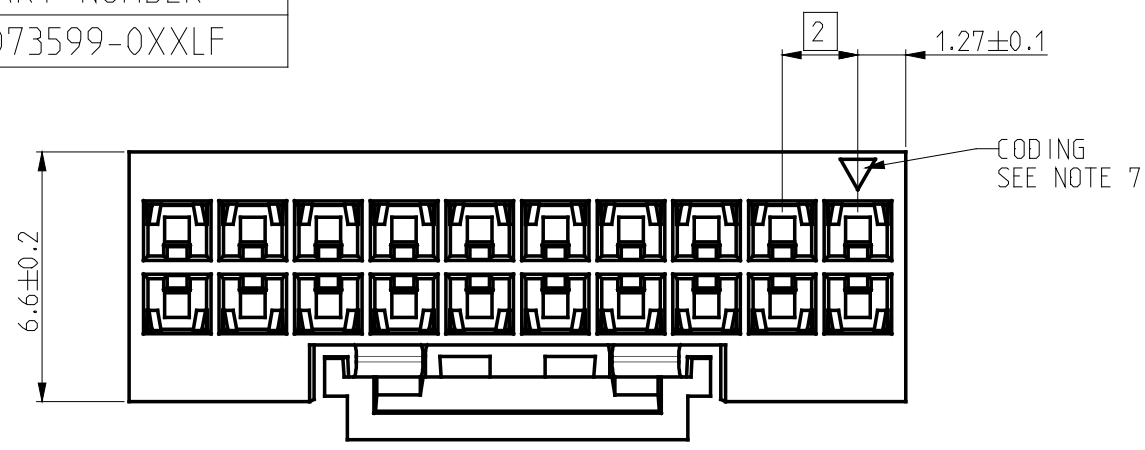
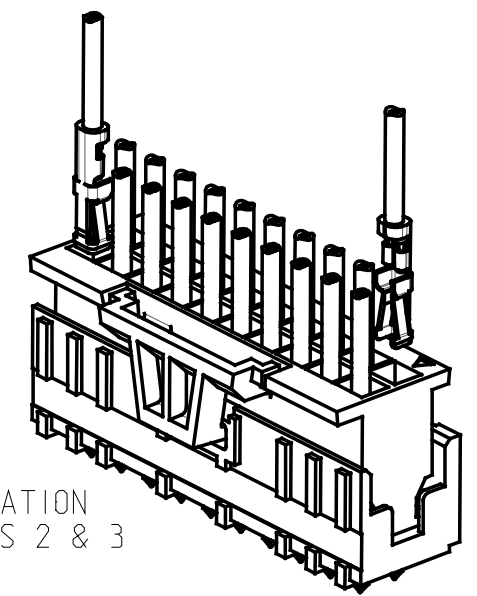
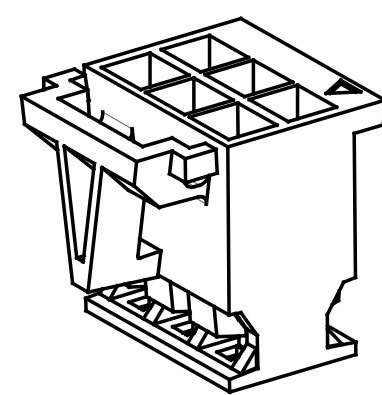


PART NUMBER
10073599-0XXLF



Part Number	Nbr POSITIONS	A +/-0,2	B
10073599-006LF	2X 3	6,54	4,0
10073599-008LF	2X 4	8,54	6,0
10073599-010LF	2X 5	10,54	8,0
10073599-012LF	2X 6	12,54	10,0
10073599-014LF	2X 7	14,54	12,0
10073599-016LF	2X 8	16,54	14,0
10073599-018LF	2X 9	18,54	16,0
10073599-020LF	2X 10	20,54	18,0
10073599-022LF	2X 11	22,54	20,0
10073599-024LF	2X 12	24,54	22,0
10073599-026LF	2X 13	26,54	24,0
10073599-028LF	2X 14	28,54	26,0
10073599-030LF	2X 15	30,54	28,0
10073599-032LF	2X 16	32,54	30,0
10073599-034LF	2X 17	34,54	32,0
10073599-036LF	2X 18	36,54	34,0
10073599-038LF	2X 19	38,54	36,0
10073599-040LF	2X 20	40,54	38,0
10073599-042LF	2X 21	42,54	40,0
10073599-044LF	2X 22	44,54	42,0
10073599-046LF	2X 23	46,54	44,0
10073599-048LF	2X 24	48,54	46,0
10073599-050LF	2X 25	50,54	48,0



DESIGN FOR 10073599-006LF & 10073599-008LF ONLY

APPLICATION SEE NOTES 2 & 3

- NOTES :
- MATERIAL : PA 66 25% GLASS FILLED, UL 94 V0
COLOR : BLACK
 - FOR USE WITH MINITEK TERMINALS :
- P/N 77138 ; AWG 26 - 30
 - FOR USE WITH MINITEK HEADER :
- P/N 98414
- P/N 98424
- P/N 10075025
 - PRODUCT SPECIFICATION : GS-12-415
 - PACKAGING SPECIFICATION : BULK.
 - ROHS COMPLIANT, THE PRODUCT IS NOT INTENDED TO BE EXPOSED TO MANUFACTURING SOLDER PROCESSES.
 - THE TRIANGLE POSITION INDICATOR REPRESENTS THE CORRESPONDING NUMBER ONE POSITION RELATIVE TO MATING HEADERS.
 - PRODUCT MEETS EUROPEAN UNION DIRECTIVES AND OTHER COUNTRY REGULATIONS AS PER DESCRIBED IN GS-22-008.

Mark with /

rev	ecn no	dr	date
A	F07-0286	LSA	07-12-11
-	-	-	-
-	-	-	-
-	-	-	-
-	-	-	-
-	-	-	-
-	-	-	-

www.fciconnect.com		surface ISO 406	tolerance std ISO 1101 ISO 1302	projection mm
		TOLERANCES UNLESS OTHERWISE SPECIFIED		
Dr	L. SAILLARD	07-03-12	ANGULAR	size A3
Eng	L. SAILLARD	07-03-12	LINEAR	Scale 5:1
Chr	J.P. ARENA	07-03-12	X° ±/- 1°	ECN F07-0286
Appr	JM COMPAGNON	07-12-11	Product family	Spec ref GS-12-415
FCI title MINITEK CTW		dwg no 10073599		Rev. A
catalog no		CUSTOMER		sheet 1 of 1

Copyright FCI